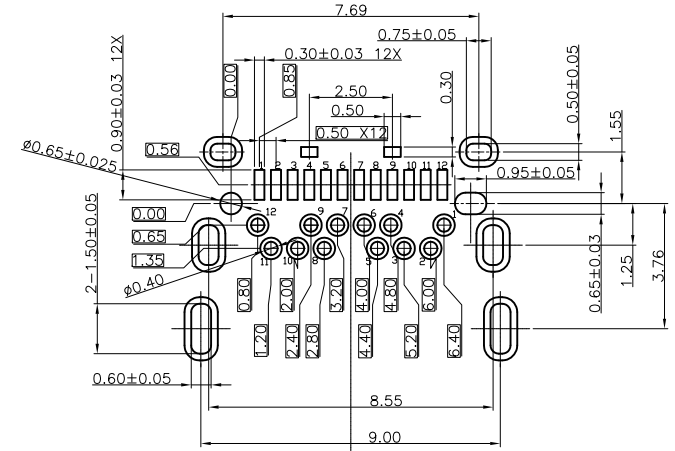
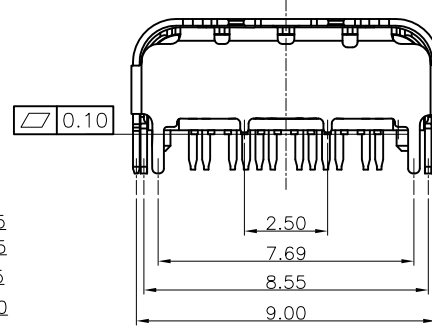
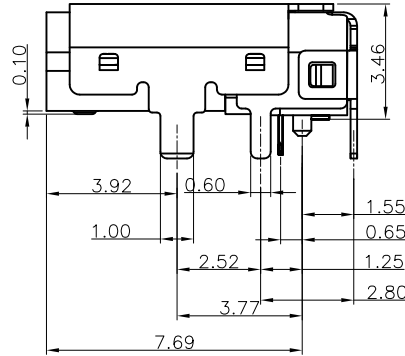
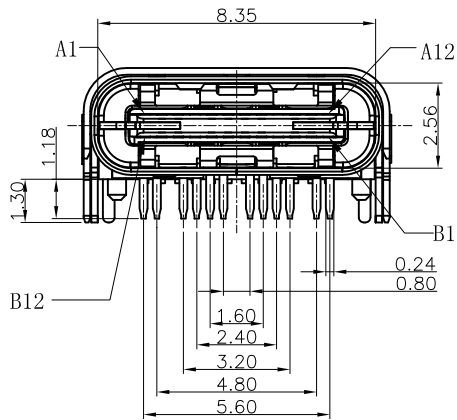


料号对照表

014101010-022	端子Au: 3u"
014101010-044	端子Au: 30u"

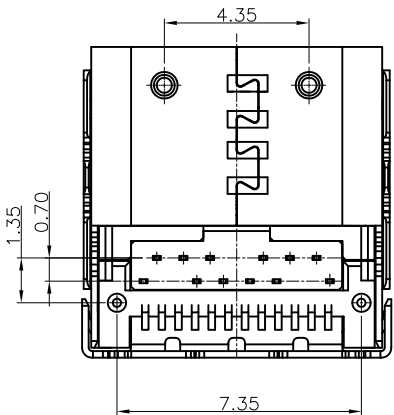
NOTES:  
SPECIFICATION:

1. CURRENT RATING: 3.0A MAX
2. VOLTAGE: 100 VAC
3. TEMPERATURE RANGE: -30 °C ~ 85 °C
4. CONTACT RESISTANCE: 40 MILLIONHM MAX
5. INSULATION RESISTANCE: 100 MEGOHMS MIN.
6. LNSERTION FORCE : 5N~20N
7. UNMATING FORCE: 8N~20N
8. DURABILITY: 10,000 CYCLES



CONNECTOR  
FRONT EDGE

RECOMMENDED P.C.B. LAYOUT (T:1.00mm)  
TOLERANCE UNSPECIFIED ±0.05mm



A1	GND	B12	GND
A2	SSTXP1	B11	SSRXP1
A3	SSTXN1	B10	SSRXN1
A4	VBUS	B9	VBUS
A5	CC1	B8	SBU2
A6	DP1	B7	DN2
A7	DN1	B6	DP2
A8	SBU1	B5	CC2
A9	VBUS	B4	VBUS
A10	SSRXN2	B3	SSTXN2
A11	SSRXP2	B2	SSTXP2
A12	GND	B1	GND
PIN	SIGNAL NAME	PIN	SIGNAL NAME

6	TOP SHELL	STAINLESS STEEL	NI Plated	1PCS
5	SHELL	STAINLESS STEEL	NI Plated	1PCS
4	SPRING	STAINLESS STEEL	---	1PCS
3	SHIELDING PLATE	STAINLESS STEEL	NI Plated	1PCS
2	CONTACT	COPPER ALLOY	Au/Ni Plated	1SET
1	HOUSING	HIGH TEMPERATURE PLASTIC	BLACK	1PCS
NO.	DESCRIPTION	MATERIAL	REMARKS	QTY

TOLERANCE		NAME(INTENDED USE) CUSTOMER DRAWING		东莞市欧盈电子科技有限公司 TEL:0769-82313999 FAX:0769-82001959	
X.X ±0.30	X.* ± 2'	PART NO.		TITLE: USB C F TYPE DIP+SMT 带上铁壳无缺口 CONN	
.XX ±0.20	.X* ± 1'	OY-X001-TYAF001-1-012		DRAWG NO. OY-X001-TYAF001-1	
.XXX ±0.10	.XX* ±0.5'	APPD:		SCALE SHEET REV.	
UNITS	mm	CHED:		1:1 1/1 A	
MATERILA		DRAW:			
FINISH					