

NOTES:

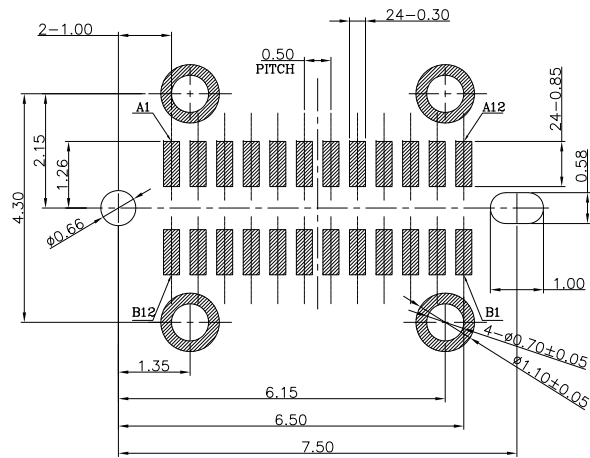
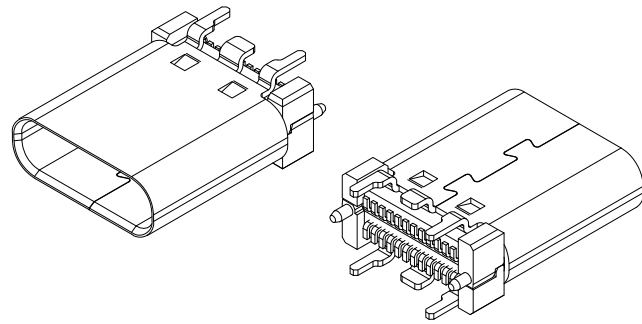
- 1.MATERIAL:
 MOLDING: LCP UL94 V-0
 CONTACT:COPPER ALLOY.
 GOLD PLATING ALL OVER 50u" Min NICKEL
 AND 100u"Min Tin ALL OVER 50u" Min NICKEL
 ON SOLDER AREA
 SHELL: SUS304-H,T=0.30±0.03mm
 50u" NICKEL PLATING OVER ALL.
 SHILD:SUS304-H,T=0.12±0.03mm
- 2.MECHANICAL:
 INSERTION: 5~20N.
 EXTRACTION: 8~20N.
 DURABILITY: 10000 CYCLES
- 3.ELECTRICAL:
 CURRENT: 5A MIN FOR VBUS;
 0.25A MIN FOR OTHER.
 VOLTAGE: 20 V MAX
 WITHSTANDING VOLTAGE: 100V AC.
 CONTACT RESISTANCE: 40mΩ MAX.
 INSULATION RESISTANCE: 100MΩ MIN.
- 4.ENVIRONMENTAL
 TEMPERATURE RANGE -55°C ~ +85°C

| | |
|-----------------------|--------|
| TOLERANCE UNSPECIFIED | |
| . | ±0.50 |
| .0 | ±0.38 |
| .00 | ±0.25 |
| .000 | ±0.10 |
| ANGLE | ±3.00° |
| MANUFACTURING COPY | |

东莞市欧盈电子科技有限公司

TITLE:USB 3.1 C TYPE FEMALE STRAIGHT CONNECTOR (H=10.50MM)

| | | | | |
|--------------|------------|----------|-----------------------|------------|
| DRAWN BY: | SIZE:A4 | UNIT:mm. | OY-F001-TYAF006-1-012 | |
| CHECKED BY: | SCALE: 1:1 | | | REV. : A |
| APPROVED BY: | DWG . PATH | | | SHEET: 1/4 |



RECOMMENDED P.C.B. LAYOUT (T:1.00mm)
 TOLERANCE UNSPECIFIED ±0.05mm
 SCALE: 2:1

| PIN | Signal Name | Description | PIN | Signal Name | Description |
|-----|-------------|---|-----|-------------|---|
| A1 | GND | Ground return | B12 | GND | Ground return |
| A2 | SSTXp1 | Positive half of first SuperSpeed TX differential pair | B11 | SSRXp1 | Positive half of first SuperSpeed RX differential pair |
| A3 | SSTXn1 | Negative half of first SuperSpeed TX differential pair | B10 | SSRXn1 | Negative half of first SuperSpeed RX differential pair |
| A4 | VBUS | Bus Power | B9 | VBUS | Bus Power |
| A5 | CC1 | Configuration Channel | B8 | SBU2 | Sideband Use (SBU) |
| A6 | Dp1 | Positive half of the USB 2.0 differential pair-Position 1 | B7 | Dn2 | Negative half of the USB 2.0 differential pair-Position 2 |
| A7 | Dn1 | Negative half of the USB 2.0 differential pair-Position 1 | B6 | Dp2 | Positive half of the USB 2.0 differential pair-Position 2 |
| A8 | SBU1 | Sideband Use(SBU) | B5 | CC2 | Configuraaion Channel |
| A9 | VBUS | Bus Power | B4 | VBUS | Bus Power |
| A10 | SSRXn2 | Negative half of second SuperSpeed RX differential pair | B3 | SSTXn2 | Negative half of second SuperSpeed TX differential pair |
| A11 | SSRXp2 | Positive half of second SuperSpeed RX differential pair | B2 | SSTXp2 | Positive half of second SuperSpeed TX differential pair |
| A12 | GND | Ground return | B1 | GND | Ground return |

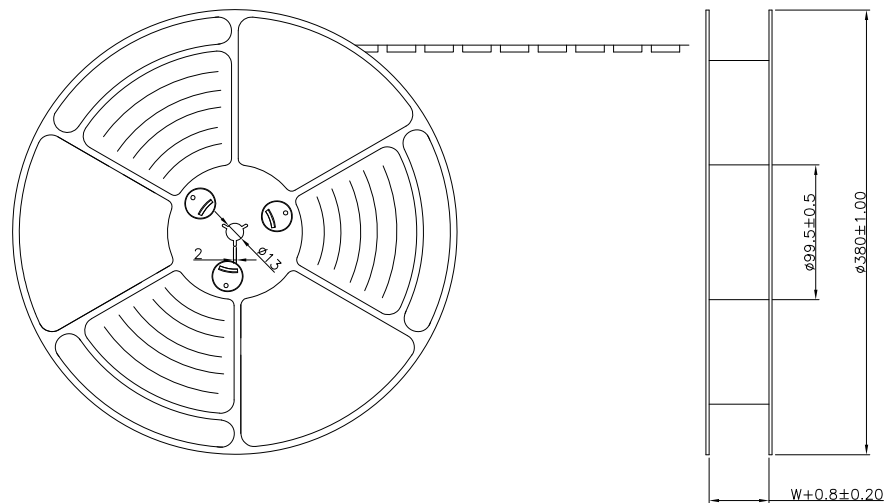
TOLERANCE UNSPECIFIED
 . ±0.50
 .0 ±0.38
 .00 ±0.25
 .000 ±0.10
 ANGLE ±3.00°
 MANUFACTURING COPY

东莞市欧盈电子科技有限公司

TITLE:USB 3.1 C TYPE FEMALE STRAIGHT CONNECTOR(H=10.50MM)

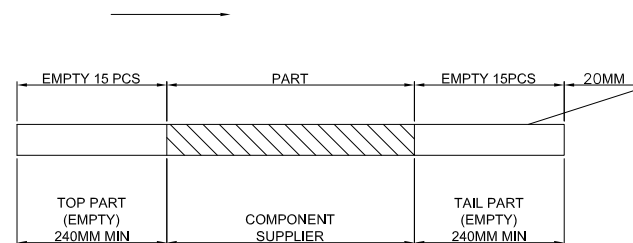
| | | | | |
|--------------|--|------------|----------|-----------------------|
| DRAWN BY: | | SIZE:A4 | UNIT:mm. | OY-F001-TYAF006-1-012 |
| CHECKED BY: | | SCALE: 1:1 | | REV.: A |
| APPROVED BY: | | DWG . PATH | | SHEET:2/4 |

出料方向
PULL OUT DIRECTEON

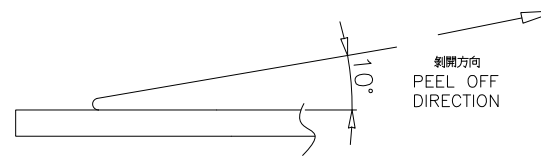
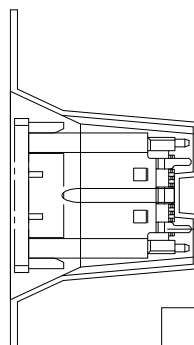
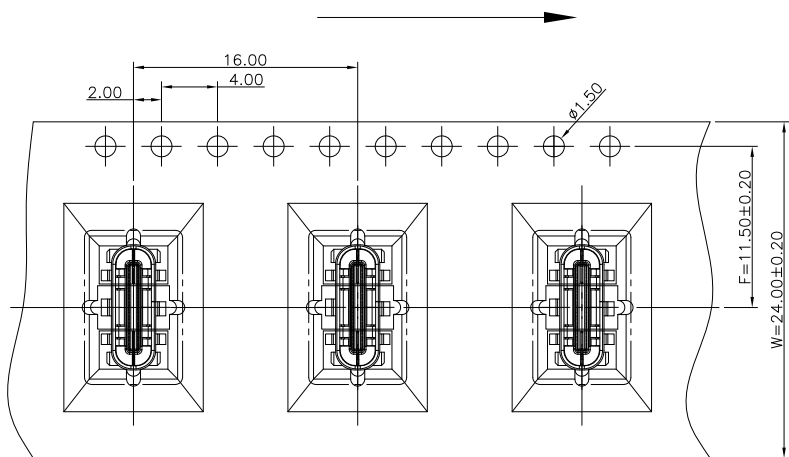


NOTES

1.帶子引導長度
LEAD TAPE LENGTH
出料方向
PULL OUT DIRECTEON



2.上帶 剝力力為：0.1~1.3N(10.2gf~130gf)
PEELING OFF FORCE OF TOP TAPE:0.1~1.3N(10.2gf~130gf)
出貨運輸過程中一定注意：
THIS REQUIREMENT SHOULD BE APPLIED AT SHIPMENT：
卷帶在運輸過程中不能散開
PEELING OFF SHOULD NOT BE ALLOWED DURING TRANSPORTATION



TOLERANCE UNSPECIFIED
. ±0.50
.0 ±0.38
.00 ±0.25
.000 ±0.10
ANGLE ±3.00°
MANUFACTURING COPY

东莞市欧盈电子科技有限公司

TITLE:USB 3.1 C TYPE FEMALE STRAIGHT CONNECTOR(H=10.50MM)

DRAWN BY:

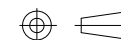
SIZE:A4

UNIT:mm.

OY-F001-TYAF006-1-012

CHECKED BY:

SCALE: 1:1

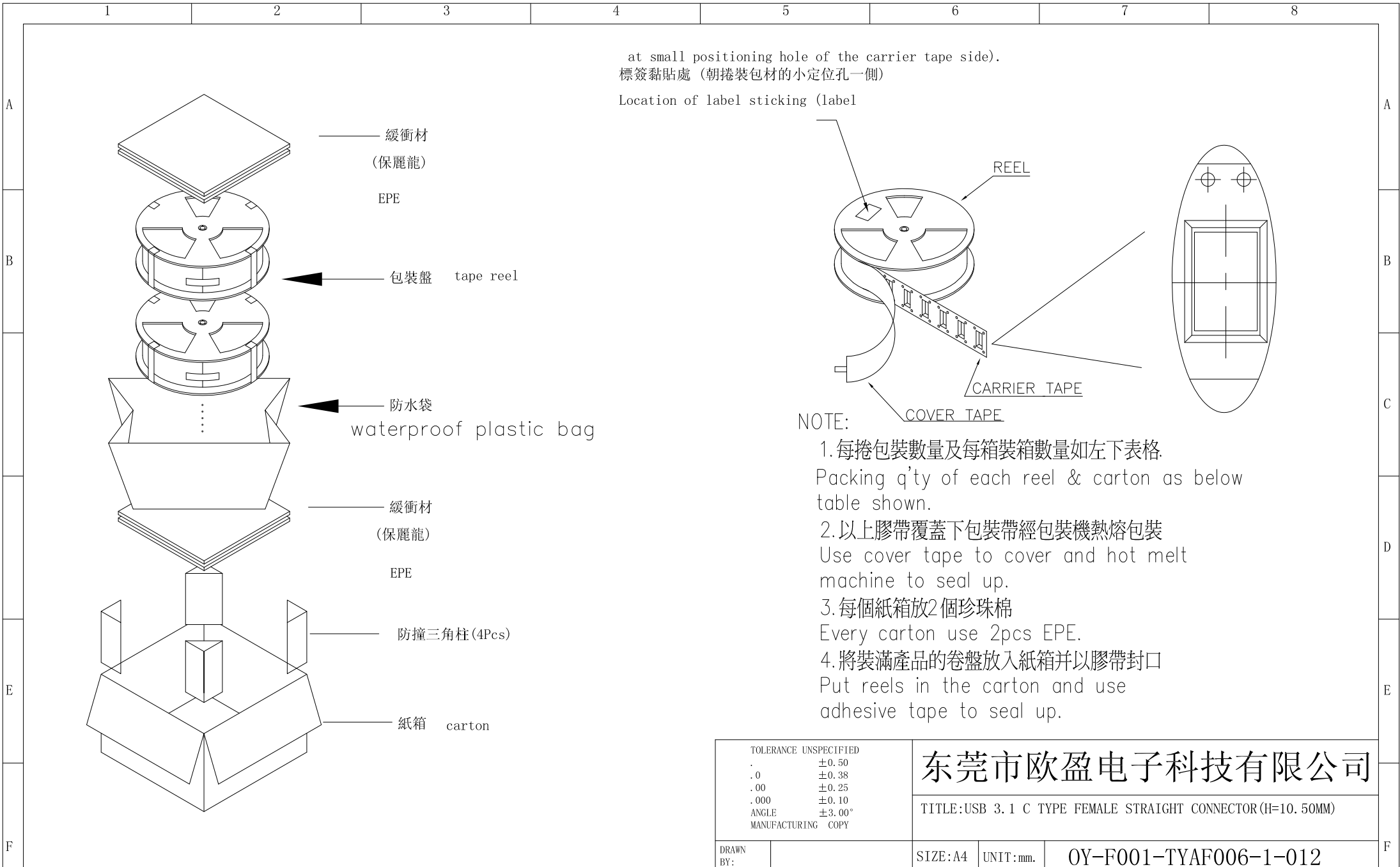


REV.: A

APPROVED BY:

DWG . PATH

SHEET:3/4



at small positioning hole of the carrier tape side).
 標籤黏貼處 (朝捲裝包材的小定位孔一側)
 Location of label sticking (label

- NOTE:
1. 每捲包裝數量及每箱裝箱數量如左下表格。
Packing q'ty of each reel & carton as below table shown.
 2. 以上膠帶覆蓋下包裝帶經包裝機熱熔包裝。
Use cover tape to cover and hot melt machine to seal up.
 3. 每個紙箱放2個珍珠棉。
Every carton use 2pcs EPE.
 4. 將裝滿產品的卷盤放入紙箱并以膠帶封口。
Put reels in the carton and use adhesive tape to seal up.

| | | | |
|-----------------------|--------|-----------------------|-----------|
| TOLERANCE UNSPECIFIED | | 东莞市欧盈电子科技有限公司 | |
| .0 | ±0.50 | | |
| .00 | ±0.38 | OY-F001-TYAF006-1-012 | |
| .000 | ±0.25 | SCALE: 1:1 | REV. : A |
| ANGLE | ±0.10 | DWG . PATH | SHEET:4/4 |
| MANUFACTURING COPY | ±3.00° | | |
| DRAWN BY: | | SIZE:A4 | UNIT:mm. |
| CHECKED BY: | | | |
| APPROVED BY: | | | |

| 產品料號 (PRODUCT No.) | 包裝容量 (PACKING CAPACITY) | | | 重量 WEIGHT (Kg) | | |
|-----------------------|-------------------------|--------------|------------|----------------|----------|----------|
| | PCS/REEL | REELS/CARTON | PCS/CARTON | N.W./PCS | N.W./BOX | G.W./BOX |
| | 450 | 8 | 3600 | | | |