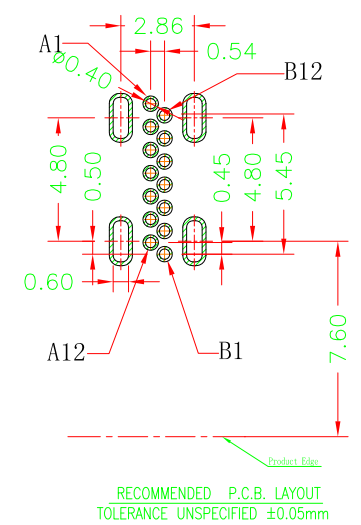
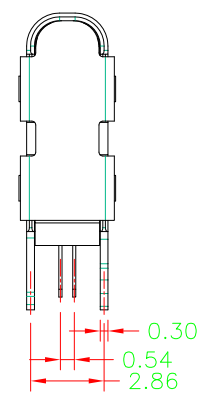
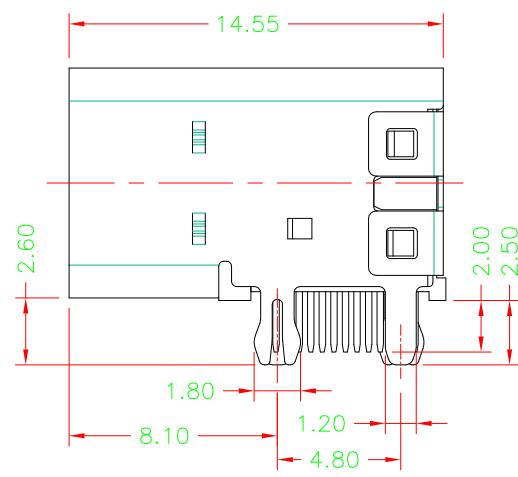
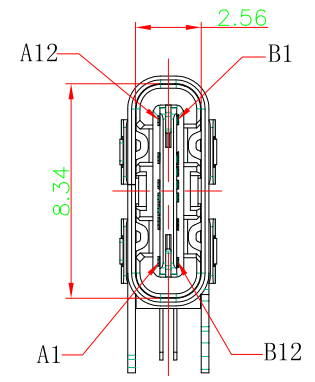
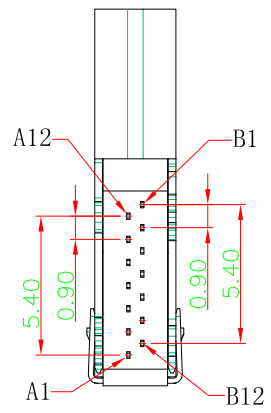


- NOTES:  
SPECIFICATION:
1. CURRENT RATING: 3A MAX
  2. VOLTAGE: 100 VAC
  3. TEMPERATURE RANGE: -30 °C ~ 85 °C
  4. CONTACT RESISTANCE: 40 MILLIONHM MAX
  5. INSULATION RESISTANCE: 100 MEGOHMS MIN.
  6. LNSERTION FORCE : 5N~20N
  7. UNMATING FORCE: 8N~20N
  8. DURABILITY: 10,000 CYCLES



RECOMMENDED P.C.B. LAYOUT  
TOLERANCE UNSPECIFIED ±0.05mm



A1	GND	B12	GND
A4	VBUS	B9	VBUS
A5	CC1	B7	DN2
A6	DP1	B6	DP2
A7	DN1	B5	CC2
A9	VBUS	B4	VBUS
A12	GND	B1	GND
PIN	SIGNAL NAME	PIN	SIGNAL NAME

6	SHELL	STAINLESS STEEL	Ni Plated	1PCS
5	SHIELDING PLATE	STAINLESS STEEL	---	1PCS
4	MD	HIGH TEMPERATURE PLASTIC	BLACK	1PCS
3	CONTACT	COPPER ALLOY	Au/Ni Plated	1SET
2	CONTACT	COPPER ALLOY	Au/Ni Plated	1SET
1	HOUSING	HIGH TEMPERATURE PLASTIC	BLACK	1PCS
NO.	DESCRIPTION	MATERIAL	REMARKS	QTY

TOLERANCE		NAME(INTENDED USE)	东莞市欧盈电子科技有限公司	
CUSTOMER DRAWING		TITLE:		
X.X ±0.30	X.* ± 2°	PART NO.	USB C F 侧插式-成品	
.XX ±0.20	.X° ± 1°	APPD:	DRAWG NO.	
.XXX ±0.10	.XX° ±0.5°	CHEG:	OY-X001-TYAF006-S	
UNITS	mm	DRAW:	SCALE SHEET REV.	
MATERILA			1:1	1/1
FINISH				A