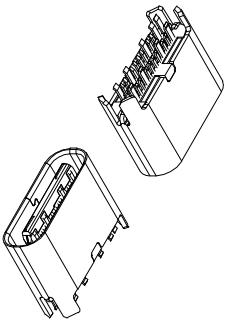
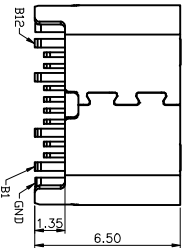
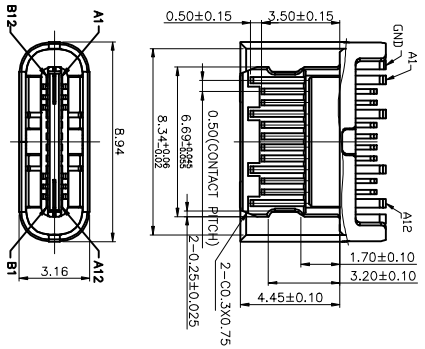


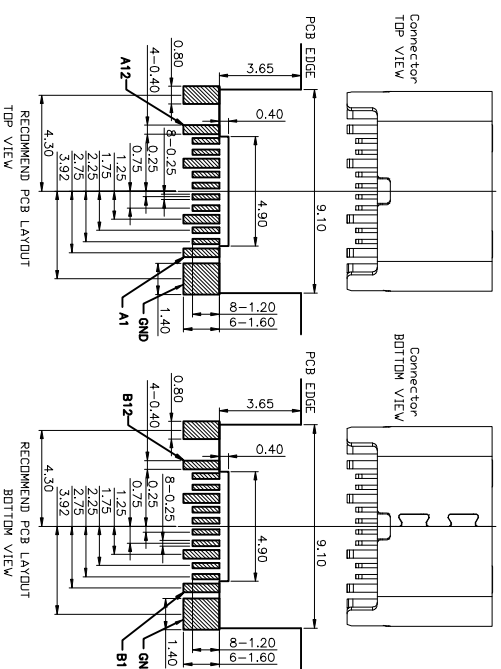
ROHS 客户图

由 Autodesk 教育版产品制作

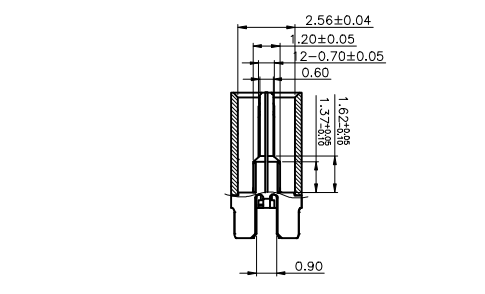
目錄 MAPX	修改內容 MODIFICATION	日期 DATE
A0	NEW	09-10-20



NOTES: 1.MATERIAL:
MOLDING: LCP UL94 V-0
CONTACT GILDED ALLOY
SOLDER CONTACT AREA:100%
SOLDER MIN TIN (LEAD FREE) ON SOLDER AREA,
SHELL: SUS304-HI-T=0.30±0.03mm
SHELL: 50% NICKEL PLATING OVER ALL
SHELL:SS304-HI=0.12±0.03mm
2.INSERTION: 5~20N
EXTRACTION: 8~20N AFTER TEST.
DURABILITY: 10000 CYCLES
3.ELECTRICAL: 5A FOR VIBUS;
CURRENT: 0.25A FOR GND PIN,
0.25A FOR OTHER.
VOLTAGE: 20 V MAX
WITHSTANDING VOLTAGE: 100V AC R.M.S.
CONTACT RESISTANCE: 40mΩ MAX.
4.ENVIRONMENTAL
TEMPERATURE RANGE: -25C ~ +85C



RECOMMENDED P.C.B. LAYOUT (T:0.80mm)
TOLERANCE UNSPECIFIED ±0.05mm



Pin No	Signal Name	Description	Pin No	Signal Name	Description
A1	GND	Ground system	B02	GND	Ground system
A2	STR1A	Positive half of data differential pair	B01	STR1A	Positive half of data differential pair
A3	STR1B	Negative half of data differential pair	B03	STR1B	Negative half of data differential pair
A4	TRN	Two Power	B04	TRN	Two Power
A5	CC1	Configuration Channel	B05	CC1	Configuration Channel
A6	TRN	Positive half of the data-pair: 1	B06	TRN	Positive half of the data-pair: 2
A7	TRN	Negative half of the data-pair: 1	B07	TRN	Positive half of the data-pair: 3
A8	STR1	Standard (Reserved)	B08	CC2	Configuration Channel
A9	TRN	Two Power	B09	TRN	Two Power
A10	STR1A	Positive half of data differential pair	B10	STR1A	Positive half of data differential pair
A11	STR1B	Negative half of data differential pair	B11	STR1B	Negative half of data differential pair
A12	GND	Ground system	B12	GND	Ground system

产品图
PRODUCT CHART DWG

公差一览表
TOLERANCE UNLESS OTHERWISE SPECIFIED

K	±0.30	K'	±5°
X	±0.25	X'	±2°
XX	±0.30	XX'	±1°
XXX	±0.15	XXX'	±0.5°

东莞市欧盈电子科技有限公司

单位 UNITS	MM	制图 DRAWING	王冠	产品料号 PRODUCT PART NO.	OY-L001-TYAF001-Z-012
比例 SCALE	1:1	审核 CHECKED	雷永健	产品名称 PRODUCT NAME	TYPE C母座连接器L=6.5
日期 DATE	2009/10/20	核准 APPROVED	雷永健	角法 VIEW	版本 VER
					A0

由 Autodesk 教育版产品制作

由 Autodesk 教育版产品制作

非标准产品教育版产品制作

THIS IS PROPRIETARY TO KINGNGELI ELECTRONIC CO.,LTD.AND SHOULD NOT BE USED WITHOUT WRITTEN PERMISSION